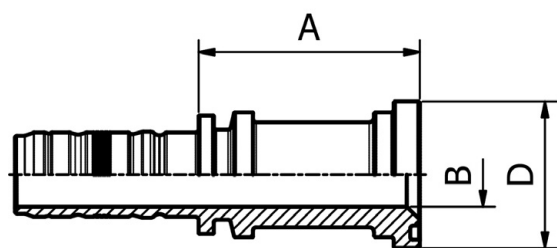


SAE STANDARD CONNECTIONS

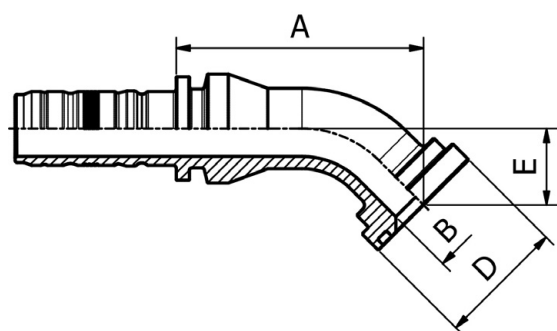


# M83311

ISO / SAE  
CODE 61 FLANGE  
SAE J516 / ISO 12151-3

| PART. REF.   | HOSE BORE |      |        | Flange | DIMENSIONS mm |      |       |       |  |  |  |
|--------------|-----------|------|--------|--------|---------------|------|-------|-------|--|--|--|
|              | DN        | Dash | inch   |        | inch          | B    | A     | D     |  |  |  |
| M83311-12-12 | 19        | - 12 | 3/4"   | 3/4"   |               | 14.5 | 66.5  | 38.0  |  |  |  |
| M83311-12-16 | 19        | - 12 | 3/4"   | 1"     |               | 19.5 | 52.5  | 44.6  |  |  |  |
| M83311-16-12 | 25        | - 16 | 1"     | 3/4"   |               | 14.5 | 67.5  | 38.0  |  |  |  |
| M83311-16-16 | 25        | - 16 | 1"     | 1"     |               | 19.5 | 67.5  | 44.6  |  |  |  |
| M83311-16-20 | 25        | - 16 | 1"     | 1.1/4" |               | 26.0 | 53.5  | 51.0  |  |  |  |
| M83311-20-16 | 31        | - 20 | 1.1/4" | 1"     |               | 19.5 | 69.0  | 44.6  |  |  |  |
| M83311-20-20 | 31        | - 20 | 1.1/4" | 1.1/4" |               | 26.0 | 75.0  | 51.0  |  |  |  |
| M83311-20-24 | 31        | - 20 | 1.1/4" | 1.1/2" |               | 32.0 | 60.0  | 60.5  |  |  |  |
| M83311-24-24 | 38        | - 24 | 1.1/2" | 1.1/2" |               | 32.0 | 78.5  | 60.5  |  |  |  |
| M83311-24-32 | 38        | - 24 | 1.1/2" | 2"     |               | 42.0 | 60.5  | 71.6  |  |  |  |
| M83311-32-32 | 51        | - 32 | 2"     | 2"     |               | 42.0 | 82.5  | 71.6  |  |  |  |
| M83311-40-40 | 63        | - 40 | 2.1/2" | 2.1/2" |               | 51.5 | 93.0  | 84.3  |  |  |  |
| M83311-48-48 | 76        | - 48 | 3"     | 3"     |               | 62.5 | 88.5  | 101.6 |  |  |  |
| M83311-56-56 | 89        | - 56 | 3.1/2" | 3.1/2" |               | 76.0 | 98.5  | 114.3 |  |  |  |
| M83311-64-64 | 102       | - 64 | 4"     | 4"     |               | 89.0 | 105.0 | 127.0 |  |  |  |

FITTINGS 234



SAE STANDARD CONNECTIONS

# M83341

45° ISO / SAE  
CODE 61 FLANGE  
SAE J516 / ISO 12151-3

| PART. REF.   | HOSE BORE |      |        | Flange | DIMENSIONS mm |      |       |       |      |  |  |
|--------------|-----------|------|--------|--------|---------------|------|-------|-------|------|--|--|
|              | DN        | Dash | inch   |        | inch          | B    | A     | D     | E    |  |  |
| M83341-12-12 | 19        | - 12 | 3/4"   | 3/4"   |               | 16.0 | 78.0  | 38.0  | 24.5 |  |  |
| M83341-12-16 | 19        | - 12 | 3/4"   | 1"     |               | 19.5 | 78.0  | 44.6  | 24.5 |  |  |
| M83341-16-12 | 25        | - 16 | 1"     | 3/4"   |               | 16.0 | 90.5  | 38.0  | 24.5 |  |  |
| M83341-16-16 | 25        | - 16 | 1"     | 1"     |               | 19.5 | 86.5  | 44.6  | 26.5 |  |  |
| M83341-16-20 | 25        | - 16 | 1"     | 1.1/4" |               | 26.0 | 92.0  | 51.0  | 32.0 |  |  |
| M83341-20-16 | 31        | - 20 | 1.1/4" | 1"     |               | 19.5 | 90.5  | 44.6  | 26.5 |  |  |
| M83341-20-20 | 31        | - 20 | 1.1/4" | 1.1/4" |               | 26.0 | 87.5  | 51.0  | 29.0 |  |  |
| M83341-20-24 | 31        | - 20 | 1.1/4" | 1.1/2" |               | 32.0 | 88.5  | 60.5  | 30.0 |  |  |
| M83341-24-24 | 38        | - 24 | 1.1/2" | 1.1/2" |               | 32.0 | 102.5 | 60.5  | 38.0 |  |  |
| M83341-24-32 | 38        | - 24 | 1.1/2" | 2"     |               | 42.0 | 102.5 | 71.6  | 38.0 |  |  |
| M83341-32-32 | 51        | - 32 | 2"     | 2"     |               | 42.0 | 143.5 | 71.6  | 52.0 |  |  |
| M83341-40-40 | 63        | - 40 | 2.1/2" | 2.1/2" |               | 49.2 | 131.0 | 84.3  | 44.5 |  |  |
| M83341-48-48 | 76        | - 48 | 3"     | 3"     |               | 59.0 | 147.0 | 101.6 | 53.0 |  |  |